

SINCE 1997

---



INNOVATION

---

**KUMSUNG TSC**  
Cosmetic Packaging Materials



## ABOUT KUM SUNG TSC.

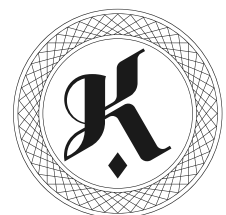


KUM SUNG TSC was established in 1997 as injection factory in packaging materials for cosmetic with only three injection machine. With continuous effort for quality and technology, KUM SUNG TSC is equipped one-stop process as well as become credible company from local and oversea partners. On basis of honest, we always consider how we satisfy customers' needs and has strengthened quality and product power with variety.

KUM SUNG TSC, which is located in Hwa-seong, has focused creativity and made unique products as professional manufacturer. We will endlessly effort to supply creative and qualitative products for local as well as global customers based on honest mind for partners which is the great motto of KUM SUNG TSC.

# HISTORY

- ◆ 1997 Foundation of KUM SUNG (Dangieong-dong, Gunposi)
- ◆ 2001 Start to develop molding of KUM SUNG  
Obtained 1 patent for designs
- ◆ 2002 Having assembling facility (96-6 Wa-dong Ansansi)  
Installed injection machine
- ◆ 2003 Moved factory to Hwa-seong (Dangha-ri, Bongdam-eup, Hwa-seongsi)
- ◆ 2004 Obtained 2 patents for designs
- ◆ 2005 Certified as ISO 9001  
Obtained 1 patent for designs
- ◆ 2006 Conversion to a corporation (from KUM SUNG to KUM SUNG TSC., Ltd.)  
Obtained 3 patents for utilities and designs
- ◆ 2007 Certified as Venture Company and INNO-BIZ  
Established R&D department  
Installed injection machine  
Obtained 2 patents for utilities and designs
- ◆ 2010 Set up outer, UV coating & metalizing & stamping printing & silk printing facilities  
Installed injection machine  
Obtained 1 patents for utilities
- ◆ 2013 Selected as Great Small Enterprise by Gyeonggi-do governor  
Certified as professional Enterprise of components and materials in industry field  
Moved factory to Paltan-myeon from Bongdam-eup  
Obtained 2 patents for utilities
- ◆ 2014 Certified ISO 14001
- ◆ 2015 Installed inner coating facility (installed own one-stop processing system)  
Installed injection machine  
Obtained 3 patents for utilities and designs
- ◆ 2018 Installed Digital printing & laser facility  
First direct export to a overseas country (Thailand)
- ◆ 2019 Installed extra stamping printing & silk printing facilities  
Direct export to overseas countries such as Europe
- ◆ 2021 24th anniversary of its foundation.





# KUMSUNG TSC

SINCE 1997



INNOVATION

## CONTENTS

2

INTRODUCTION

BRAND STORY

HISTORY

6

1. BASIC SERIES





18

2. SINGLE CREAM  
JAR SERIES

28

3. POWDER SERIES

32

4. AIRLESS & PP SERIES

38

5. PACT SERIES

54

6. PALETTE SERIES  
& SPATULA



60

7. OTHERS

68

COMPANY  
PRODUCTION LINE  
PATENT  
LOCATION







BASIC SERIES

1

# KSA SERIES



## SPEC



**KSAJ-050**  
50g  
74 $\phi$  × 48.9mm



**KSAJ-030**  
30g  
64.3 $\phi$  × 45.2mm



**KSAC-015, 020**  
15ml / 20ml  
33.4 $\phi$  × 115.2mm



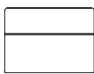
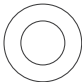



**KSAC-030**  
30ml  
33.4 $\phi$  × 141mm



**KSAC-120**  
120ml  
46.4 $\phi$  × 193.3mm

# KSH SERIES



SPEC				
				
<b>KSHJ-050</b> 50g 73.9 $\phi$ × 53.4mm	<b>KSHJ-030</b> 30g 64.2 $\phi$ × 48.4mm	<b>KSHG-040</b> 40ml 42 $\phi$ × 151mm	<b>KSHG-120</b> 120ml 45.7 $\phi$ × 197.1mm	<b>KSHGS-120</b> 120ml 46.3 $\phi$ × 181.8mm

# KSB SERIES



## SPEC



**KSBJ-030**  
30g  
72.1ø × 45.3mm



**KSBJ-050**  
50g  
79.1ø × 51.3mm



**KSBT-050**  
50ml  
47.1ø × 131.9mm



**KSBTs-120**  
120ml  
51.1ø × 186.1mm

# KSD SERIES



## SPEC



**KSDJ-030**  
30g  
64.1 $\phi$  × 51.9mm



**KSDJ-050**  
50g  
73.9 $\phi$  × 57.8mm



**KSDW-040**  
40ml  
42.1 $\phi$  × 156.9mm



**KSDW-120**  
120ml  
50.3 $\phi$  × 198.7mm

# KSD SERIES



## SPEC



**KSDJ-030**  
30g  
64.1ø × 51.9mm



**KSDJ-050**  
50g  
73.9ø × 57.8mm



**KSDH-040**  
40ml  
55.3ø × 126.4mm



**KSDH-120**  
120ml  
64.7ø × 168.8mm

# KSE SERIES



## SPEC



**KSEJ-030**  
30g  
64.1 $\phi$  × 51.9mm



**KSEJ-050**  
50g  
73.9 $\phi$  × 57.8mm



**KSEP-040**  
40ml  
42.1 $\phi$  × 153.6mm



**KSEP-120**  
120ml  
50.3 $\phi$  × 194.7mm

# KSF SERIES



## SPEC



**KSFJ-030**  
30g  
58.1ø × 46.2mm



**KSFJ-050**  
50g  
58.1ø × 59.8mm



**KSFS-120**  
120ml  
41.8ø × 155mm



**KSFS-150**  
150ml  
41.8ø × 175.1mm

# KSG SERIES



## SPEC



**KSGJ-030**  
30g  
68.3 $\phi$  × 50.6mm



**KSGJ-050**  
50g  
85.5 $\phi$  × 68.5mm

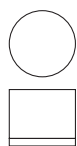


**KSGA-040**  
40ml  
44.3 $\phi$  × 144.8mm

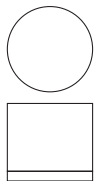
# KSSP SERIES



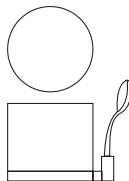
## SPEC



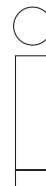
**KSSP-030**  
30g  
68.6 $\phi$  × 52.5mm



**KSSP-050**  
50g  
72 $\phi$  × 61.5mm



**KSSP-050-1**  
50g  
72.7  $\phi$  × 61.4mm



**KSSP-040**  
40ml  
39.4 $\phi$  × 141.6mm

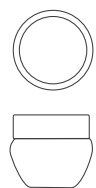


**KSSP-120**  
120ml  
49.4 $\phi$  × 176.6mm

# KSJC / KSPP SERIES



## SPEC



**KSJC-002**  
50g  
64φ × 55.5mm



**KSPP-015**  
15ml  
29φ × 94.7mm



**KSPP-030**  
30ml  
29φ × 126.3mm



**KSPP-050**  
50ml  
32.9φ × 139.8mm



MIRIMEL  
ORIGINAL  
SNAIL CREAM  
Miraculous Rejuvenation  
from the nature  
45 ml e 1.52 fl. oz.

BABOR  
Reversivé

MIRIMEL



# SINGLE CREAM JAR SERIES

# KSSP SERIES



## SPEC



KSSP-030  
30g  
68.7  $\phi$  × 53mm



KSSP-050  
50g  
73.1  $\phi$  × 61.5mm

# KSSC SERIES



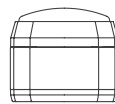
## SPEC



KSSC-030

30g

72.7 $\phi$  × 60.6mm



KSSC-060

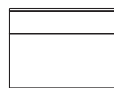
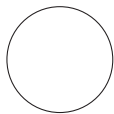
60g

88.9 $\phi$  × 76.4mm

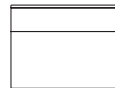
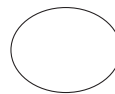
# KSAJ / KSRJ SERIES



## SPEC



KSAJ-050  
50g  
74 $\phi$  × 48.9mm



KSRJ-050  
50g  
79.1 $\phi$  × 51.3mm

# KSSS SERIES



## SPEC



KSSS-030  
30g  
64.1ø × 51.5mm

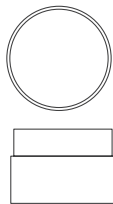


KSSS-050  
50g  
73.9ø × 59.5mm

# KSJ / KSRS SERIES



## SPEC



KSJ-510E  
50g  
67.5φ × 47.7mm



KSRS-01  
50g  
62φ × 65mm

## KSSM / KSSQ SERIES



## KSJ / KSJC SERIES



SPEC



**KSSM-050**  
50g  
69.8 $\phi$  × 54.7mm



**KSSQ-050**  
50g  
69.8 $\phi$  × 54.9mm

SPEC



**KSJ-505A**  
50g  
69.2 $\phi$  × 54.3mm



**KSJC-003**  
50g  
67 $\phi$  × 45.5mm

# KSLP SERIES



SPEC



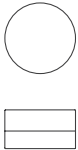

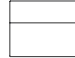

KSLP-050(Refill)  
50g  
70φ×63mm

## KSPD / KSAD SERIES



## KSMI SERIES



SPEC			SPEC
			
<b>KSPD-030</b> 30g 58.4φ×32mm	<b>KSPD-050</b> 50g 58.4φ×45.5mm	<b>KSAD-050</b> 50g 58.4φ×46mm	<b>KSMI-008</b> 8g 40.8φ×21.5mm





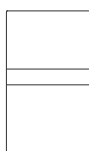
3

POWDER SERIES

# KSCH SERIES



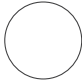
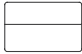
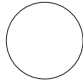

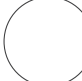
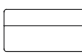
SPEC



KSCH-03  
8g  
40 φ × 64.8mm

# KSBP / KSCP SERIES



SPEC		
 	 	 
<b>KSBP-020</b> 20g 63.6φ × 40.7mm	<b>KSCP-025-A</b> 25g 63.4φ × 40.7mm	<b>KSCP-025-B</b> 25g 73.7φ × 34.8mm



REPUBLIC  
E








4

AIRLESS SERIES  
P.P. SERIES

# KSAB / KSAS SERIES



SPEC

				
<b>KSAB-015</b> 15ml 40 ø × 120.5mm	<b>KSAB-040</b> 40ml 43.9ø × 152.5mm	<b>KSAB-120</b> 120ml 47.9ø × 182.5mm	<b>KSAS-040</b> 40ml 44.6ø × 151.2mm	<b>KSAS-120</b> 120ml 47.2ø × 181.5mm

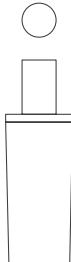
# KSAL SERIES



SPEC



KSAL-015  
15ml  
26.2ø × 108.5mm



KSAL-SQ30  
30ml  
37ø × 126mm

# KSCSA SERIES



## SPEC



**KSCSA-040**  
40ml  
35.5ø × 132.6mm



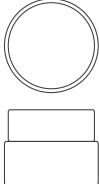
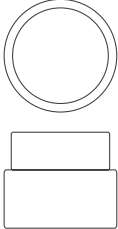
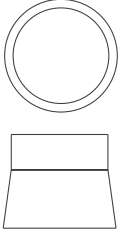
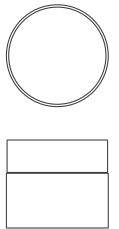
**KSCSA-140**  
140ml  
45.8ø × 174mm

# KSPS SERIES



# KSPS SERIES



SPEC	SPEC		
 <p><b>KSPS-050</b> 50ml 71.6ø × 47.1mm</p>	 <p><b>KSPS-080-01</b> 80ml 79.6ø × 63.1mm</p>	 <p><b>KSPS-080-02</b> 80ml 79.6ø × 63.1mm</p>	 <p><b>KSPS-080-03</b> 80ml 66.6ø × 60.1mm</p>



**LABIOTTE**  
Laboratoire of Nature

BORN TREE  
WILL GIVE YOU BEAUTY

**Labiotte**



# PACT SERIES

moonshot

Powder Fixer

## EASY BLUEBERRY S

4 servings  
1 1/2 cups Frozen Blueberries

1kg Vanilla Yoghurt

2 - 3 TB Honey

2 - 3 TB Honey

1 Cup Ice Cubes

1. Place all the ingredients in a blender.

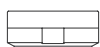
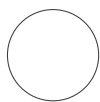
2. Blend for a minute or two - you might

need to stop and scrape the mixture halfway to get everything blended.

# KSCP SERIES



## SPEC



**KSCP-01-A**  
20g  
75.4φ × 29mm



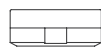
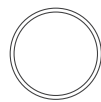
**KSCP-01-B**  
20g  
75.49φ × 29mm



**KSCP-02-A**  
20g  
75.4φ × 30mm



**KSCP-02-B**  
20g  
75.4φ × 30mm



**KSCP-03-A**  
20g  
75.4φ × 30.5mm



**KSCP-03-B**  
20g  
75.4φ × 30.5mm



**KSCP-04-A**  
20g  
75.4φ × 34mm

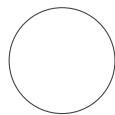


**KSCP-04-B**  
20g  
75.4φ × 34mm

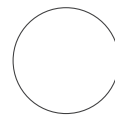
# KSIC SERIES



## SPEC



KSIC-01  
23g  
95.2 $\phi$  × 25mm

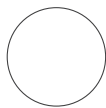


KSIC-02  
20g  
89 $\phi$  × 25mm

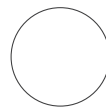
# KSAC SERIES



## SPEC



KSAC-S15-A  
12g  
75  $\phi$  × 20mm

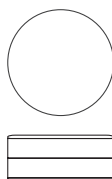


KSAC-S15-B  
12g  
76  $\phi$  × 22mm

# KSSLC SERIES



SPEC

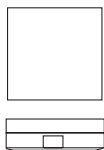


KSSLC-01  
12g, 15g  
73.6 $\phi$  × 30.7mm

# KSAC SERIES



## SPEC



KSAC-SK-A  
15g  
74.6 × 74.6 × 27.2mm



KSAC-SK-B  
15g  
74.6 × 74.6 × 27.4mm

# KSMP SERIES



SPEC



KSMP-01  
5g  
56.8 $\phi$  × 20mm

# KSCM SERIES



SPEC



KSCM-01

73.3 $\phi$  × 19.3mm

# KSCE SERIES



SPEC



KSCE-01, 02, 03

57φ×21.3mm

# KSCA / KSCB SERIES

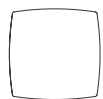


## Middle Body

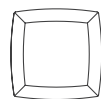
- Case 1
- Case 2
- Case 3
- Case 4
- Case 5



## SPEC



KSCA  
75.2φ × 18.3mm



KSCB  
75.2φ × 18.3mm

# KSCC / KSCD SERIES



## SPEC



KSCC-01, 02  
72  $\phi$  × 19mm

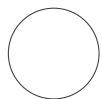


KSCD-01  
74  $\phi$  × 15mm

# KSCG / KSCF SERIES



## SPEC



KSCG-02  
75φ × 18.8mm



KSCF-01, 02  
73.2φ × 24.5mm

# KSCH SERIES



## SPEC



KSCH-01, 02

56.9 $\phi$  × 24.3mm



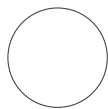
KSCH-03, 04

50 $\phi$  × 11mm

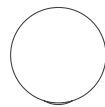
# KSCI SERIES



SPEC



KSCI-01  
82.2ø × 27.5mm



KSCI-02  
78.8ø × 25.4mm

# KSCL SERIES



SPEC



KSCL-01

72.4φ × 32.5mm



BLING BLING  
CHEEK

Lab

BLING BLING  
CHEEK



PALETTE SERIES  
SPATULA

N.Lab

# KSPC SERIES

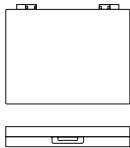
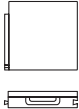




SPEC				
<b>KSPC-01</b>	<b>KSPC-02</b>	<b>KSPC-03</b>	<b>KSPC-04</b>	<b>KSPC-05</b>
82.7 $\phi$ × 14mm	79.4 $\phi$ × 13mm	104.7 $\phi$ × 13mm	104.4 $\phi$ × 13mm	54.6 $\phi$ × 11mm









# KST / KSAS SERIES



SPEC	
	
<b>KST-S9</b>	<b>KSAS-01</b>
126.1ø × 16.1mm	40 ø × 9.2mm

# KSTA SERIES



SPEC			
			
			
<b>KSTA-01</b>	<b>KSTA-02</b>	<b>KSTA-03</b>	<b>KSTA-04</b>
66φ × 1.4mm	70.6φ × 1.7mm	67.5φ × 1.65mm	73 φ



7

OTHERS



# KSHP SERIES



SPEC



KSHP-100  
100g  
50 φ × 129.3mm

# KSLP SERIES



SPEC



KSLP-02  
3.5g  
21.8 $\phi$  × 84.8mm

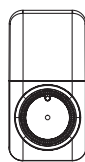


KSLP-03  
3.5g  
21.8 $\phi$  × 85.1mm

# KSST SERIES



SPEC

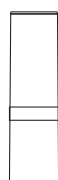


KSST  
20g  
51  $\phi$  × 99.2mm

# KSST SERIES



SPEC

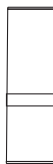


KSST-01  
15g  
29.5 $\phi$  × 105.1mm

# KSST SERIES



SPEC



KSST-02  
12g  
29.5 $\phi$  × 97.1mm

# KSST SERIES



SPEC



KSST-03(Refill)  
10g  
26.2 $\phi$  × 100.4mm



KSST-03  
10g  
25 $\phi$  × 93.4mm

# PRODUCT LINE



---

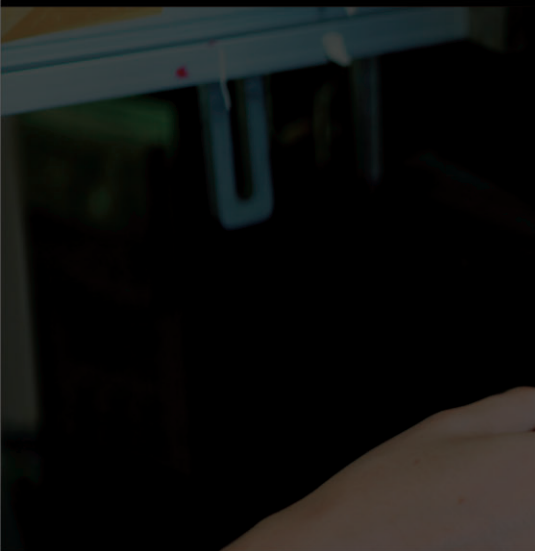
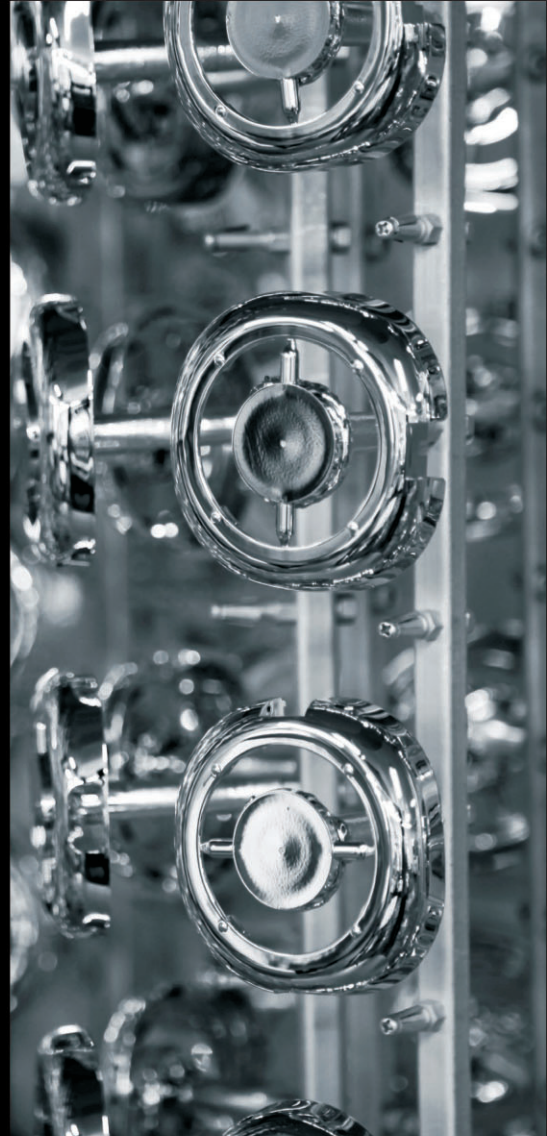
# MOLDING & INJECTION





---

**COATING  
&  
METALIZING**



---

**PRINTING  
&  
STAMPING  
PRINTING**

---

**ASSEMBLING**



# PATENT STATUS

## Application Number

10-2007-0013931(20070209)  
 10-2010-0069525(20101126)  
 10-2015-0083173(20150612)  
 20-2006-0017121(20060626)  
 20-2006-0031468(20061211)  
 20-2013-0009806(20131128)  
 20-2013-0009807(20131128)

## Indication of Products

one-touch opening cosmetic case  
 Liquid Dispenser improving obyrative  
 Compact case  
 Apparatus for opening shutting nozzle of cosmetic case  
 Pumping material of cosmetic case  
 Compact case of cosmetic  
 Compact case of cosmetic

## Design Patent

3020010019237(2001.07.12)  
 3020040015786(2004.05.28)  
 3020040015787(2004.05.28)  
 3020040041156(2004.12.31)  
 3020050025252(2005.07.27)  
 3020060027113(2006.06.26)  
 3020070041159(2007.10.02)  
 3020110002416(2011.01.20)  
 3020150012074(2015.03.10)  
 3020150012078(2015.03.10)

3020150065856 (2015. 12. 23)  
 3020150066156 (2015. 12. 20)  
 3020150065853 (2015. 12. 23)  
 3020150066179 (2015. 12. 24)  
 3020160020841 (2016. 05. 02)  
 302018004309 (2018. 01. 25)  
 302018004308 (2018. 01. 25)  
 Chinese design Number  
 ZL20150347919. 3







46-9, Deogugongdan2-Gil, Paltan-Myeon,  
Hwaseong-Si, Gyeonggi-Do, Korea (949-2, Gujang-Ri)

[www.kumsungtsc.com](http://www.kumsungtsc.com)

Tel. + 82 - 31 - 366 - 6882~3

Fax. + 82 - 31 - 352 - 7193